



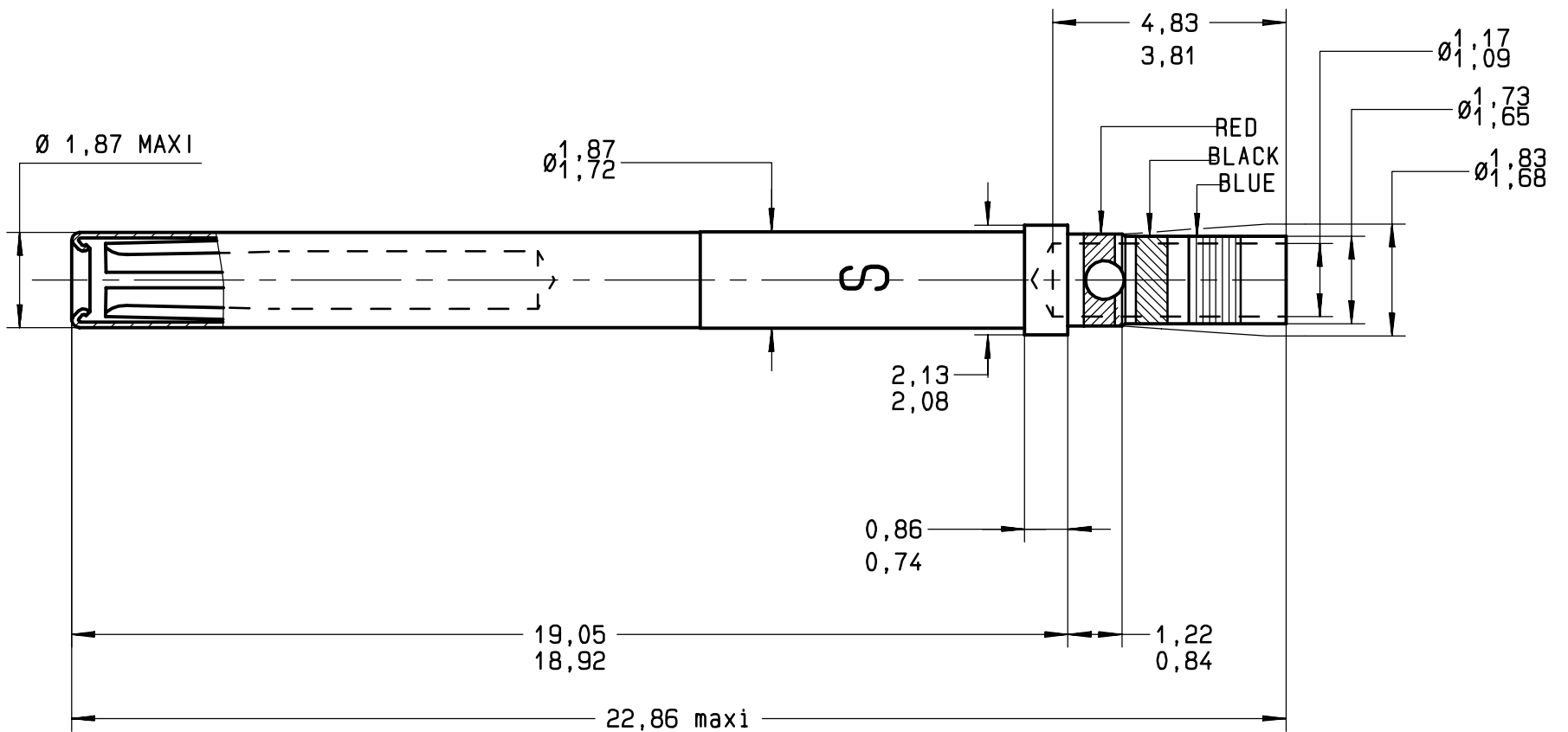
Series
TCX

SIZE 20 CRIMP REMOVABLE SOCKET CONTACT

JN1123 CS 20

Issue:
01 MARCH 2002

Page
1 / 1



This information is given as an indication. In the continual goal to improve our products, we reserve the right to make any modifications judged necessary.

MATERIAL :

BODY CONTACT :BERYLLIUM COPPER ALLOY PER ASTM-B-196
 PROTECTIVE SLEEVE:STAINLESS STEEL PER AISI 305

FINISH :

CONTACT BODY : PLATING .00005 INCH OF GOLD PER MIL-G-45204 TYPE I OR II GRADE C OR D
 CLASS 1 OVER NICKEL PER QQ-N-290
 PROTECTIVE SLEEVE: PASSIVATED PER QQ-P-35

WIRES ACCOMODATED : AWG 20-22-24

INSULATOR DIAMETER: 1,52 MAX - 0,89 MIN
 STRIP LENGTH : 4,0

TOOLING

CRIMPING TOOL : M22520/2-01 RADIALL 282 281
 SELECTOR POSITION : 7 FOR AWG 20
 6 FOR AWG 22
 5 FOR AWG 24

POSITIONER : M22520/2-08 RADIALL 282 971

INSERTION AND EXTRACTION TOOL : M81969/1-02 RADIALL 282 886

CREATION				
PEN: M970106323A				
NOM: COUTHON				
DATE: 01 MARCH 2002				
APPR.:	Issue	Revisions	Name	Approved